



MultiEquipment. Ref F-336A

Instruction manual

Micro-crystal dermabrasion

Warning

- Never under any circumstances attempt to open or inspect the internal components or accessories of the machine. If an inspection becomes necessary, please contact your supplier or a suitably competent technician.
- Never use the unit in humid or poorly ventilated environments, such as wet rooms, bathrooms etc. to prevent damage to the electrical components of your unit.
- Never use the unit outdoors; exposure to the elements can cause damage.
- If the power cord was destroyed, please ask a professional to service and replace it to avoid hazards, or contact the dealer for service.

Recycling



Whenever any of our electrical products or their presentation packaging bear this symbol, it means that these products should not be treated as conventional household waste in Europe. To ensure proper treatment of this waste, dispose of it in accordance with local laws or as required for the disposal of electrical equipment. This initiative will help preserve save natural resources and improve standards of environmental protection in regard to the treatment of electrical waste.

EC-Declaration of compliance

This product meets the following requirements:

1. Conditions set out in the Low Voltage Directive: 2006/95/EC
2. Conditions set out in the Electromagnetic Compatibility Directive: 2004/108/EC

Welcome!

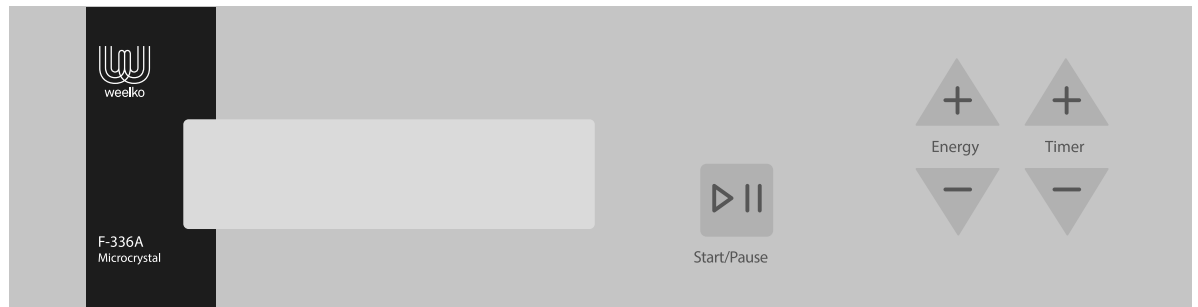
Thank you very much for purchase. Please read the instructions carefully before operating the instrument. You can also ask a professional for guidance to make sure you are using the instrument correctly. We will accept no responsibility for any accidents that occur due to incorrect operation.

The company reserves the right to amend the details of the instruments with no prior notice. If any mistakes are found in these instructions, please feel free to send us an e-mail informing us so that we can correct them.



weelko
the wellnes
company

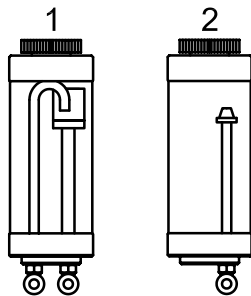
Front panel



Instructions of use

1. Connect the power supply via the rear panel.
2. Turn on the "POWER" button.

Micro-crystal containers:

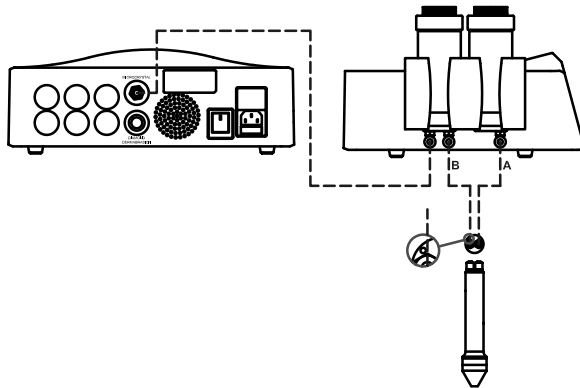


1. Used micro-crystal container.
2. New micro-crystal container.

MICRO-CRYSTAL DERMABRASION

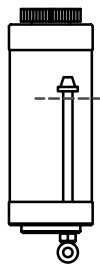
Instructions of use

1. Assembly the plastic handle holder in on side of the device.
2. Properly plug the pipes as shown in the sketch below. Plug them in the device socket and in the containers, it's enough by introducing it and do gentle pressure. To withdraw the pipes, press the round plastic part in the plug and pull the pipe without forcing.



3. Fill with micro-crystal the container #2 without exceeding the line. The cap thread must be completely clean of micro-crystal. Is recommended to use #120 particle size micro-crystal.

Important note: is prohibited manipulate micro-crystal with hands.



4. Select the desire power output and time of working by pressing “ENERGY” and “TIMER” respectively. “ENERGY” can be adjusted between 1 and 10. “TIMER” can be adjusted between 1 and 60 minutes.

5. Press “START/PAUSE” button to start. The handle showed in the display will the machine is working normally. The operation can be paused and restart by pressing this button.

6. Once the operation time has finished, the device will emit a “beep” and the selected function will stop. The device is now in standby mode.

7. Once the treatment has finished, the used micro-crystal have been deposited in the container #1. The container #2 is empty. Remove and discard the used micro-crystal. Fill the container #2 for future treatments. The cap thread must be completely clean of micro-crystal.

Important note: is prohibited manipulate micro-crystal with hands.

Notes

- During the treatment, always keep the handle under the device level. Do not work with the handle over the device level.
- The direct contact to the skin is 3–5 seconds only. After this time, lift the handle and apply it to another part of the treatment area.

Cautions

- Clean and dry skin. No need to apply lotion for treatment.
- During the operation on the eyes, please adjust the air pressure about 1-5 , and it will be enough after gently hand over twice.
- Avoid sun exposure for 24 hours after treatment.
- Do not use makeup for 4 hours after treatment.
- Do not make sauna sessions during the 10 days after treatment.
- After treatment, use neutral products to moisturize the skin rather than acidic.

FAQ

If the device produces an abnormal sound:

- Remove the 4 screws indicated below. These screws are intended to fasten the pump during transport of the equipment. It might disrupt the correct pump vibration during operation and for that reason will increase the noise of the device.



MAINTENANCE

- The filter in container #1 prevents micro crystals entering the suction circuit of the equipment. 4 replacement filters are delivered. To replace the filter, unscrew the cap of the container stand, remove the old filter, insert the new filter and screw the cap holder.
- Clean and disinfect the handle and after each treatment. It is recommended to dip first ultrasonic sterilizer and subsequently in an ultraviolet sterilizer.